

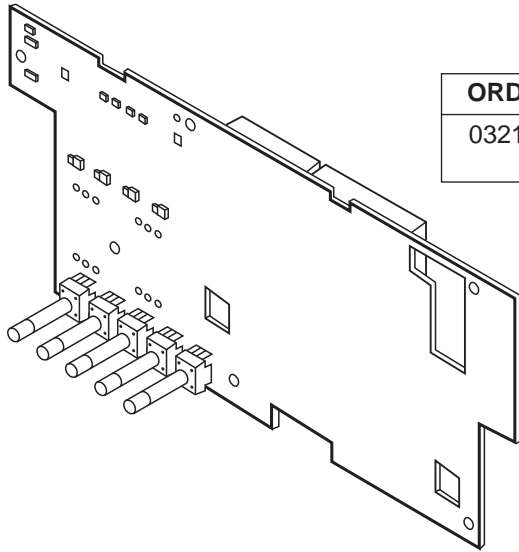
• **ASSEMBLED UNIT PARTS INFORMATION**

**NOTE:** This information covers listed version only. See the version table below.

VERSION NO.	VERSION	SYMBOL	VERSION NO.	VERSION	SYMBOL
#22	U.S.A.	USA	#28	Italy	ITA
#23	Europe	EUR	#29	Korea	KOR
#24	France	FRA	#30	Spain	SPA

**1) DISPLAY board**

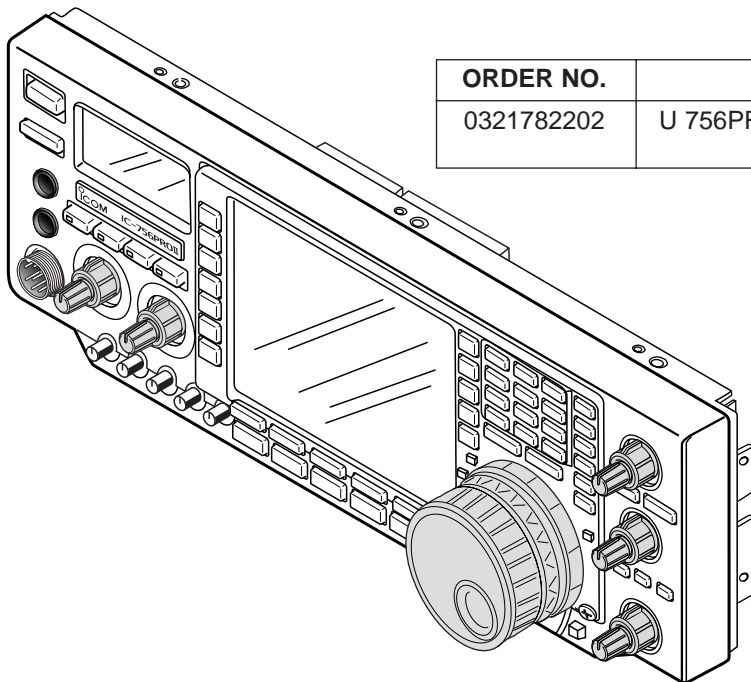
**NOTE:** This board does not include the LCD, AF/RF/SQL volume and BAL/NR volume.



ORDER NO.	PART NAME
0321782201	U 756PRO2 #22 DISP [USA], [EUR], [FRA], [ITA], [KOR], [SPA]

**2) FRONT unit**

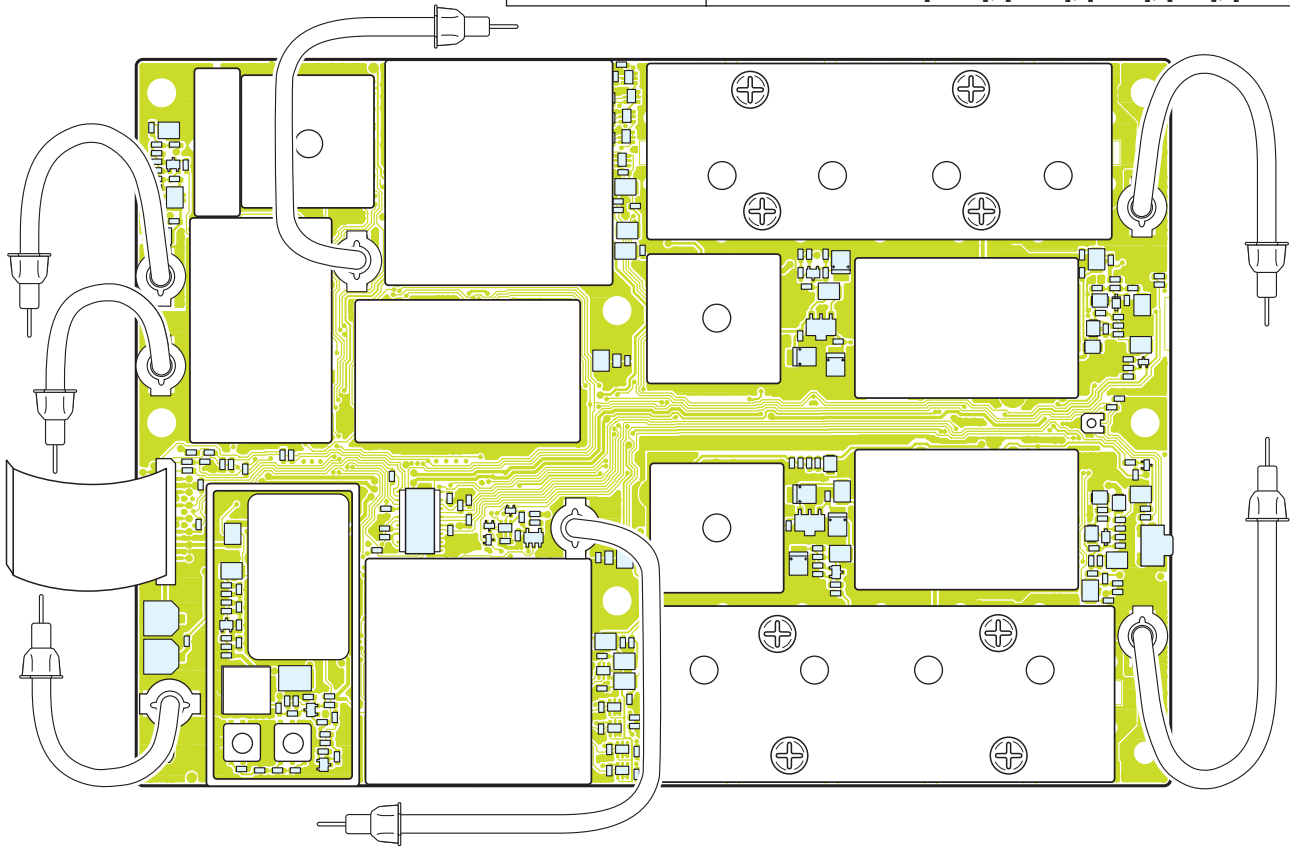
**NOTE:** This unit includes the front chassis, main dial, all knobs and DISPLAY, KEY, MIC, PHONE, RIT, PBT, MODE, TENKEY boards.



ORDER NO.	PART NAME
0321782202	U 756PRO2 #22 FRONT [USA], [EUR], [FRA], [ITA], [KOR], [SPA]

### 3) PLL unit

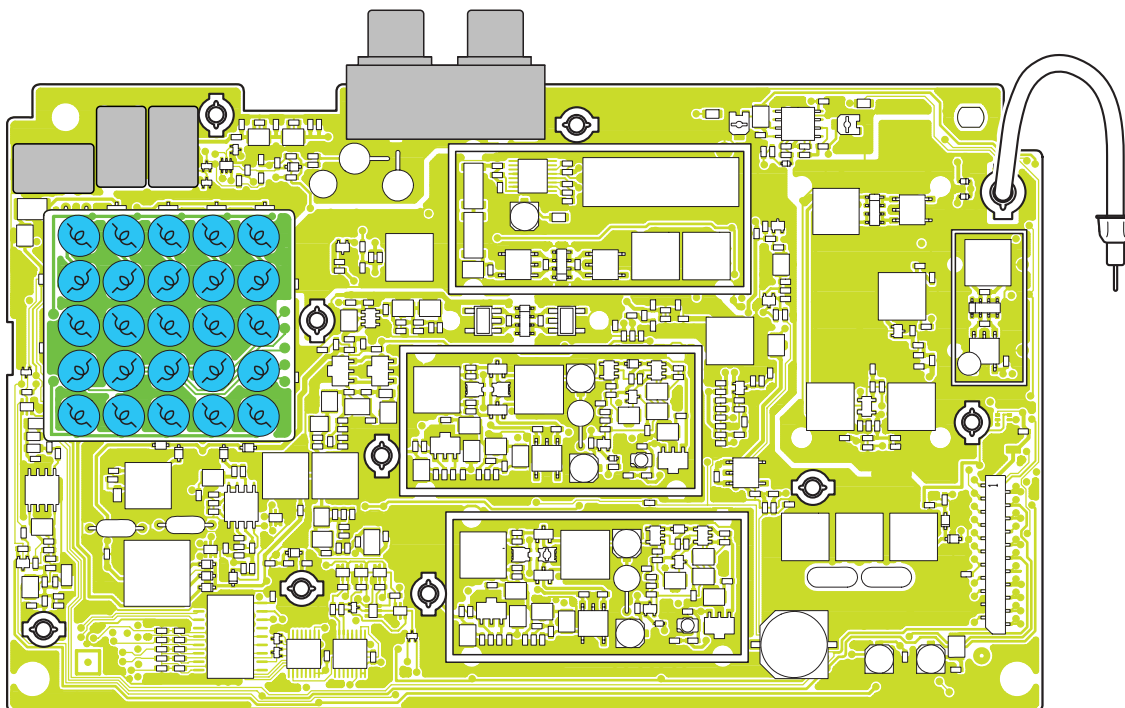
ORDER NO.	PART NAME
0321782203	U 756PRO2 #22 PLL [USA], [EUR], [FRA], [ITA], [KOR], [SPA]



### 4) RF-A unit and BPF board

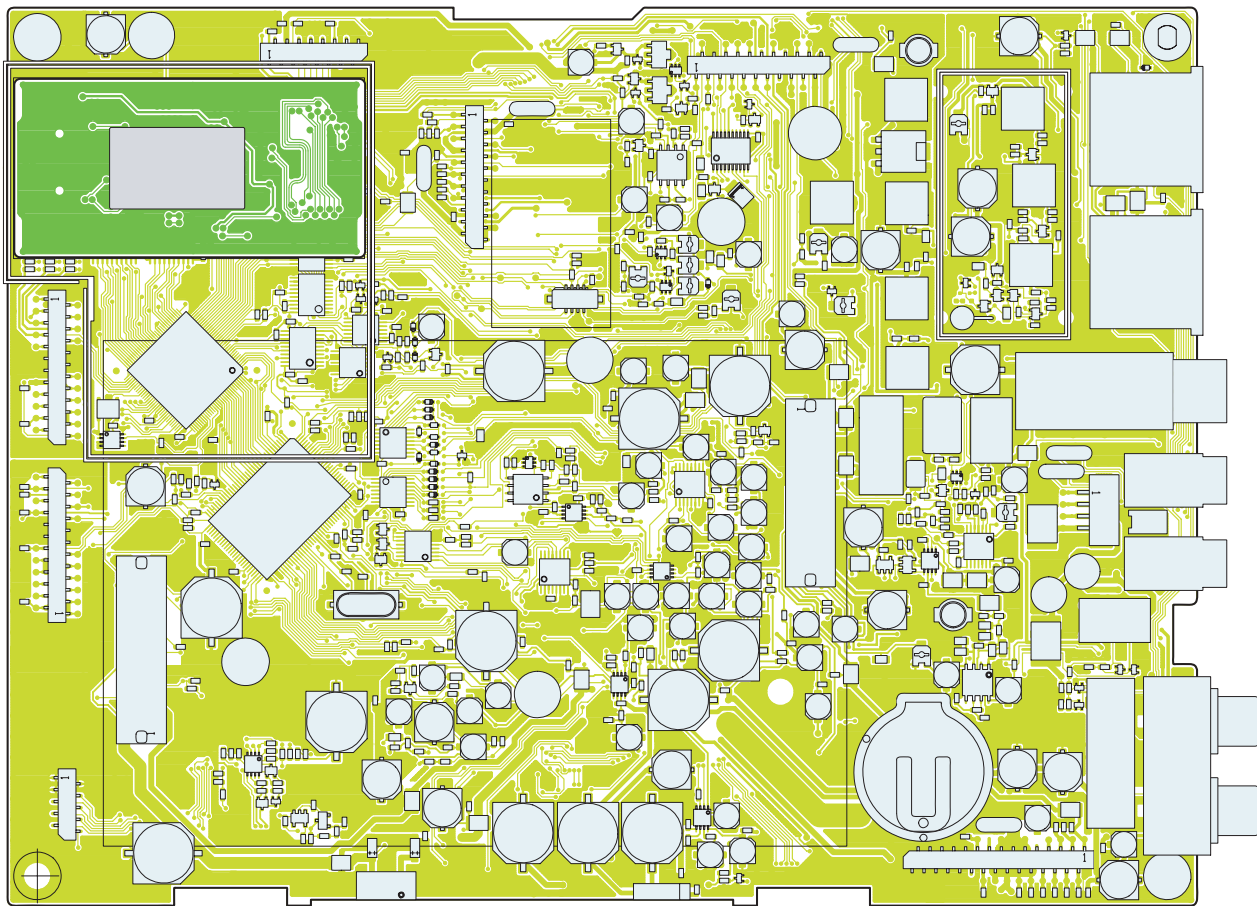
**NOTE:** This unit includes the RF-A unit and BPF board.

ORDER NO.	PART NAME
0321782204	U 756PRO2 #22 RF-A [USA], [EUR], [FRA], [ITA], [KOR], [SPA]



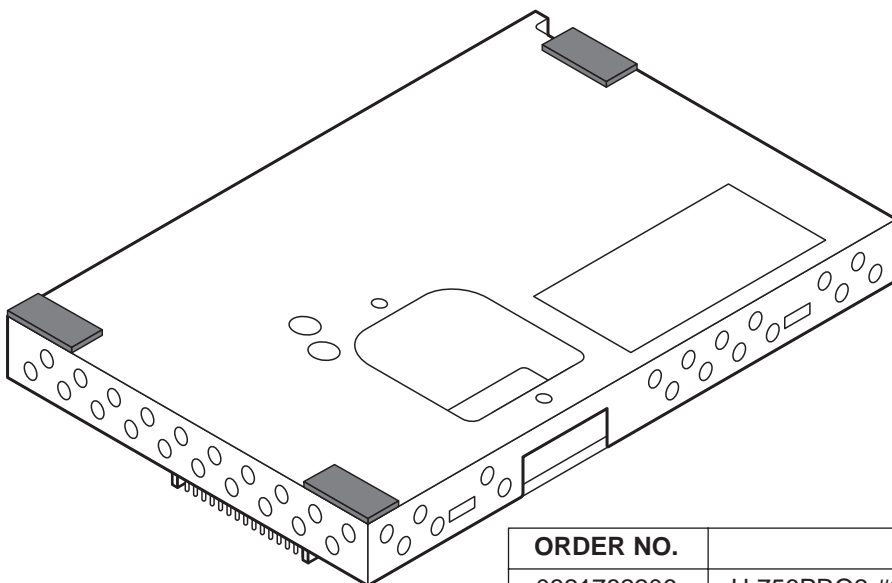
### 5) MAIN-A unit and MEMORY board

**NOTE:** This unit includes the MAIN-A unit and MEMORY board.



ORDER NO.	PART NAME
0321782205	U 756PRO2 #22 MAIN-A [USA]
0321782305	U 756PRO2 #23 MAIN-A [EUR]
0321782405	U 756PRO2 #24 MAIN-A [FRA]
0321782805	U 756PRO2 #28 MAIN-A [ITA]
0321782905	U 756PRO2 #29 MAIN-A [KOR]
0321783005	U 756PRO2 #30 MAIN-A [SPA]

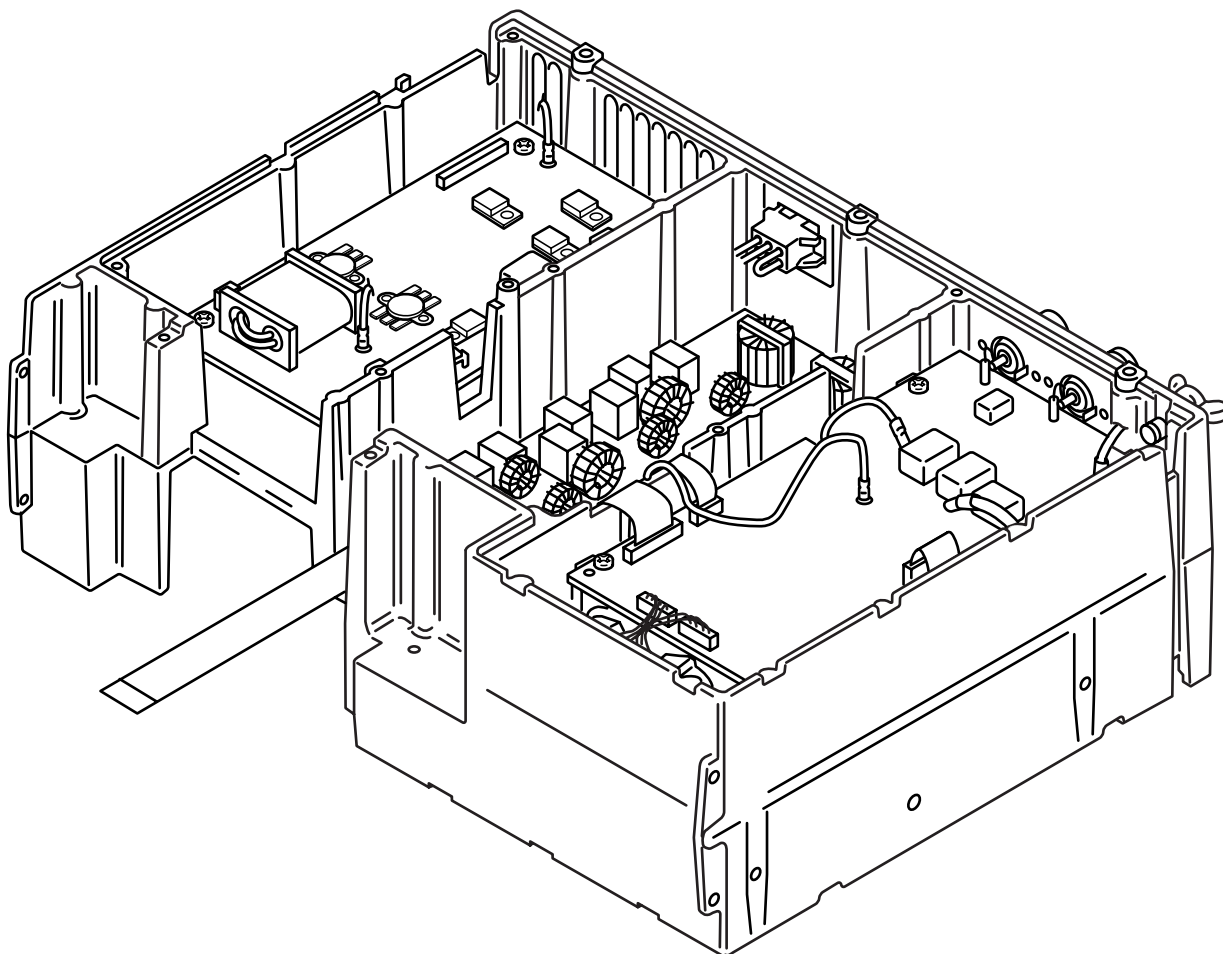
### 6) DSP-A board



ORDER NO.	PART NAME
0321782206	U 756PRO2 #22 DSP-A [USA], [EUR], [FRA], [ITA], [KOR], [SPA]

## 7) PA, TUNER, FILTER and CTRL units

**NOTE:** This unit includes the PA, TUNER, FILTER, CTRL units and chassis.



ORDER NO.	PART NAME
0321782207	U 756PRO2 #22 PA_FIL
	[USA], [EUR], [FRA], [ITA], [KOR], [SPA]